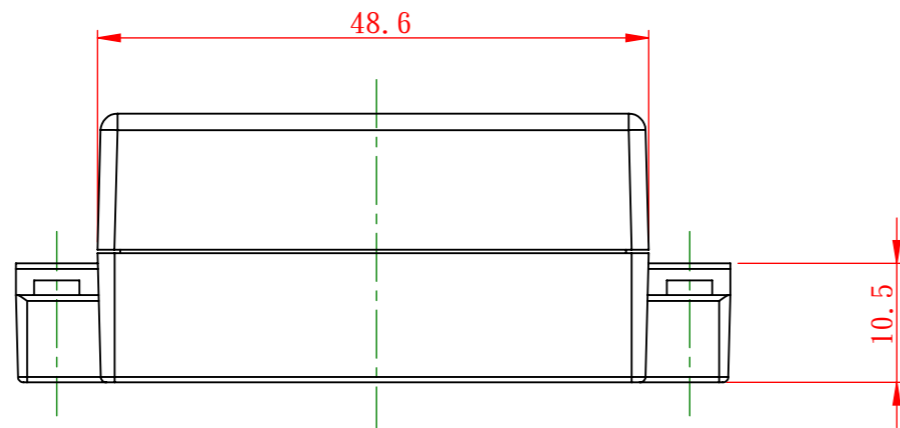
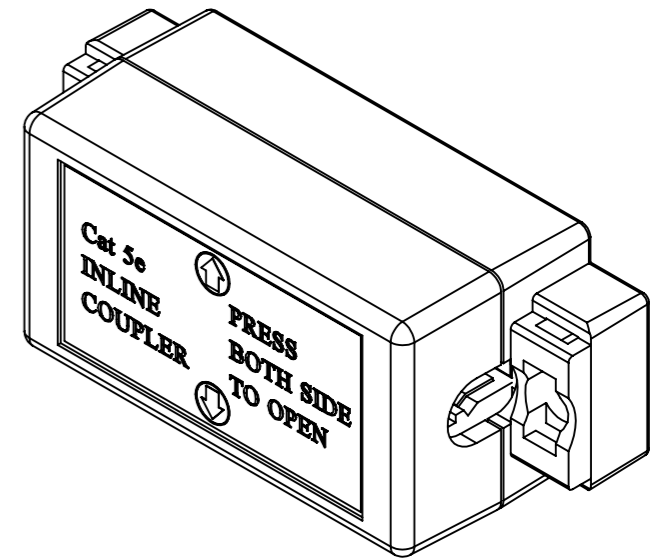
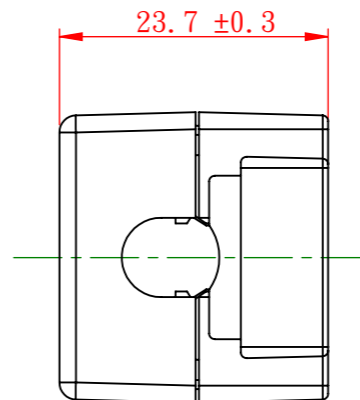
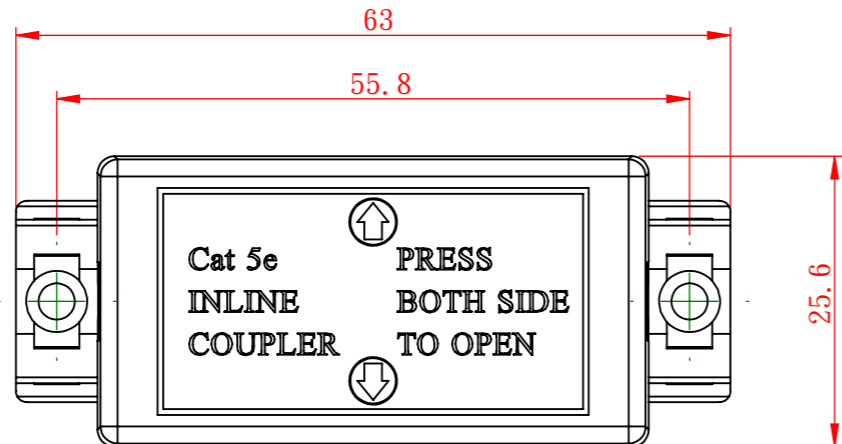


REFERENCE



ENCLOSURE
 NYLON CABLE TIE X 2 PCS
 SCREW (K2-3*16) X 2 PCS
 TWIN ADHESIVE X 1 PC

MATERIAL

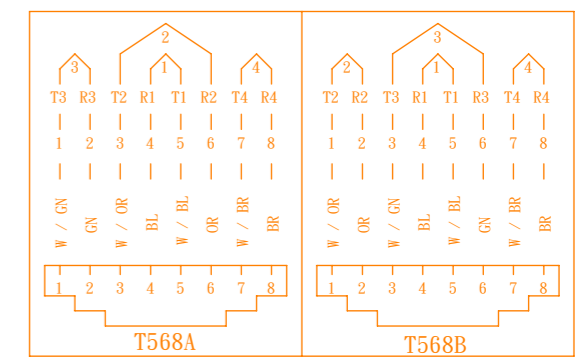
HOUSING : ABS, UL 94V-0.
 IDC PLASTIC : PC, UL 94V-0.
 IDC CONTACT : PHOSPHOR BRONZE, NICKEL PLATED.

PHYSICAL CHARACTERISTICS

OPERATING TEMPERATURE RANGE : -10 °C TO 60 °C.
 STORAGE TEMPERATURE RANGE : -40 °C TO 68 °C.
 HUMIDITY : 10% TO 90% RH (NON-CONDENSING).

ELECTRICAL

INSULATION RESISTANCE : 500 MΩ MINIMUM.
 DC CURRENT RATING : 1.5 Amps.
 INPUT TO OUTPUT D.C. RESISTANCE : 200 mΩ MAXIMUM.
 CONTACT RESISTANCE : 20 mΩ MAXIMUM.
 VOLTAGE PROOF (CONTACT TO CONTACT) : 1000 V D.C. OR A.C. PEAK.



Scale	3:2	All Copy Rights Reserved	
3rd Angle Projection		EXW Excellence Wire Ind. Co., Ltd	
Unit	mm	Title	
Date	2020/3/25	3D01-B01-00017	
Tolerance			
-20	-50	-150	150~
±0.2	±0.4	±0.5	±1.5
ANGLE			
±2°			
Drawn by		Checked by	
Zeng			